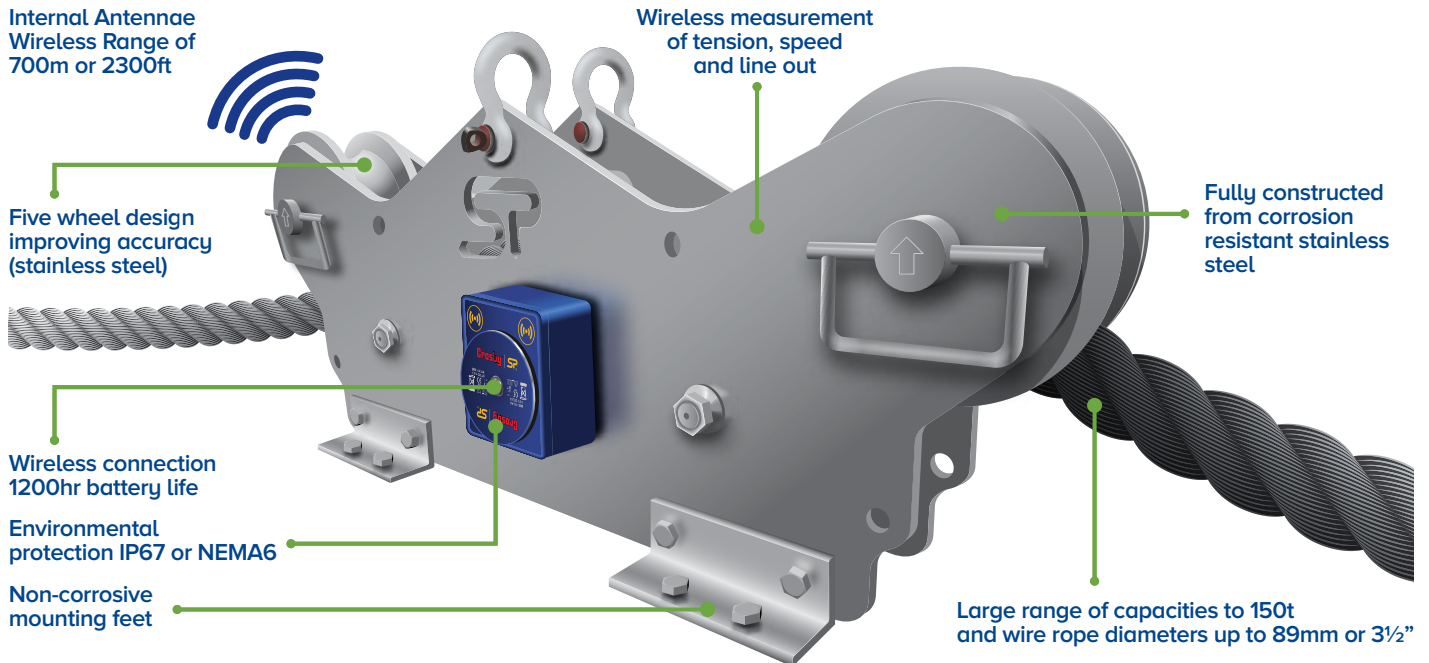


Running Line Dynamometer



The TIMH range is a Wireless Running Line Tensiometer or RLTM built with dockside, marine, offshore, towage and salvage applications in mind. It is particularly useful when there is no anchor or dead end on the line to rig an SP Radiolink or Loadlink digital dynamometer. It measures tension force at speeds up to 20m/min or 65ft/min.

Two versions of the TIMH are available:

- Long range 2.4GHz version providing industry leading wireless range of 700m or 2300ft to SP's SW-HHP handheld or software options.
- Bluetooth output and can be connected to any smart phone running SP's free HHP app on iOS or Android at ranges up to 100m or 328ft.

The TIMH is constructed from marine grade stainless steel and is suitable for many wire rope configurations up to 150t and will, as an option, calculate lineout and speed. The TIMH has several mounting points featured in its unique design but if other mounting options are required, Straightpoint can provide a custom engineered solution specific to your application.

Available as a wireless or cabled system, utilising Straightpoint's HHP range of handheld displays or SW-MWLC software, this impressive Running Line Dynamometer or RLTM is available to ship from stock, to anywhere in the world, within days.

Features and benefits:

- Measure tension, line speed and distance
- Five-wheel design improving accuracy
- Cabled or wireless options
- Fully constructed from corrosion-resistant stainless steel
- IP67 or NEMA6 Loadpin
- Industry leading battery life of 1200hrs (wireless)
- Maintenance free heavy duty bushes
- Large range of capacities to 150t and wire rope diameters up to 89mm or 3½"
- Options for lineout and speed available
- Software available to data log and monitor or analogue outputs
- Design validated by F.E.A.

- Bluetooth option is available and is supplied with a free HHP App for iOS and Android

Also available with hazardous area approval. Zones 0, 1 & 2



ATEX / IECEX

Ex ia II C T4 Ga

Certification numbers:

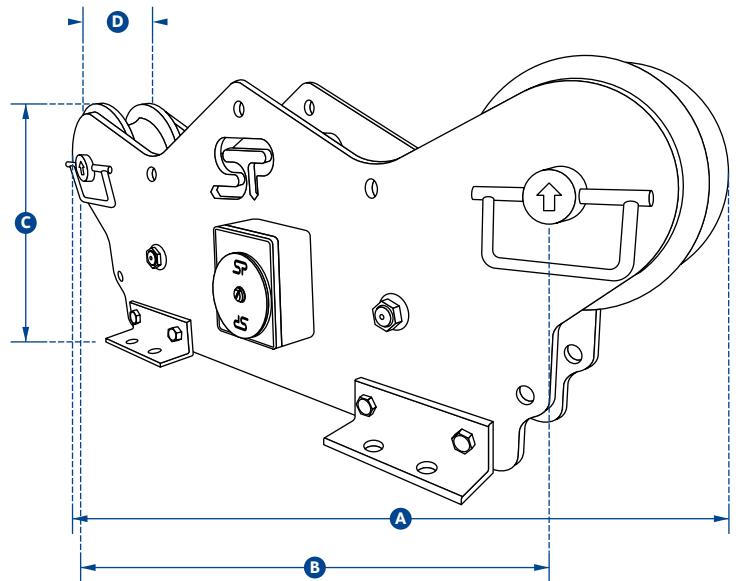
TIMH ATEX

IECEX SIR 16.0041X / Sira 16ATEX2108X

SW-HHP ATEX

IECEX SIR 15.0072X / Sira 15ATEX2196X

Add 'ATEX' to the part number when ordering ATEX/IECEX products. For example: TIMH10T-ATEX



Part Number	MTIMH10TRD	TIMH10TRD	TIMH25TRD	TIMH56TRD	TIMH80TRD	TIMH150TRD
Crosby Part number	2789054	2789136	2789139	2789144	2789146	2789270
Capacity	10 te	10 te	25 te	56 te	80 te	150 te
	22,000 lb	22,000 lb	55,000 lb	123,200 lb	176,000 lb	330,000 lb
Resolution	0.01 te	0.01 te	0.02 te	0.05 te	0.1 te	0.2 te
	20 lb	20 lb	50 lb	100 lb	200 lb	500 lb
Wire rope Ø mm	4-19 mm	13-19 mm	16-26 mm	28-38 mm	40-52 mm	52-89 mm
	5/32 in - 3/4 in	1/2' in - 3/4' in	5/8 in - 1 in	1 1/8 in - 1 1/2 in	1 5/8 in - 2 in	2 in - 3 1/2 in
Weight	9 kg	90 kg	86 kg	81 kg	76 kg	230 kg
	20 lb	198 lb	190 lb	179 lb	168 lb	506 lb
Battery Type	Wireless version 4x AA alkaline					
Battery Life	Wireless version 1200 hrs					
Operating Temp	-10 to +50 °C / 14 to 122°F					
Accuracy	2% FS					
Range (Max)	700 m / 2300 ft					
Protection	IP67 / NEMA 6					
Max Speed	50 m per minute / 164 ft per minute		20 m per minute / 65 ft per minute			
Line out and speed	Yes via SW-MWLC software					
Dimension A	422 mm		865 mm			1250 mm
	16.62 in		34.05 in			49.2 in
Dimension B	328 mm	674 mm	674 mm	674 mm	674 mm	1050 mm
	12.9 in	26.53 in	26.53 in	26.53 in	26.53 in	41.33 in
Dimension C	152mm	329mm	329mm	329mm	329mm	416mm
	5.98 in	12.95 in	12.95 in	12.95 in	12.95 in	16.37 in
Dimension D	36 mm	111 mm	111 mm	111 mm	111 mm	153 mm
	1.4 in	4.37 in	4.37 in	4.37 in	4.37 in	6.02 in